

SAT550X



SAT550X Globalstar Marine Terminal

High quality cellular style communication need no longer cease once you are out of sight of land. The SAT550X Marine Terminal offers Dual Mode, Satellite and GSM 900 communications, on all sea-going vessels. It is also suitable for many applications on land.



Globalstar's constellation of 48 low-earth-orbiting (LEO) satellites, transmits calls from your vessel to a terrestrial gateway, where they are passed on to existing fixed and cellular telephone networks in more than 100 countries on 6 continents.



Telit SAT550 handset not included

Globalstar offers world-class products and services, including high quality voice, roaming and Short Messaging Service (SMS), and later in the year 2000, positioning, asynchronous dial-up fax and data services up to 9,600 bps.

ICS Electronics is a leading World manufacturer of ship and coast station radio systems for GMDSS distress and safety communications.

With Globalstar, one phone is all you need to communicate virtually anywhere around the globe, simply, dependably and affordably. The SAT550X allows calls to be made or received within a vessel (or building) without the need to carry a hand terminal outside.

The SAT550X offers automatic roaming between Globalstar satellite services and the land-based GSM 900 cellular telephone network. One telephone subscriber number covers both satellite and GSM communication. This is supported by a single SIM card with all calls being charged to one billing account.

Path diversity is an important feature of the Globalstar system. Several satellites carry the signal. If superstructure, rigging or other objects block the signal to one of the satellites, the call will continue, carried by the other satellites. Continuous service is possible, even during pitching and rolling, without the complexity of a servo controlled moving antenna, as required by alternative systems.

For occasional use on land or deck, the SAT550 hand terminal can be unclipped and carried as a portable unit. The marine terminal cradle keeps its battery fully charged.

FEATURES

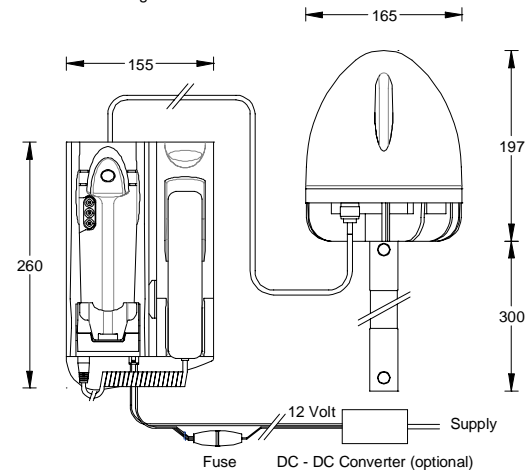
- ▶ Reliable, secure high quality speech and RS232 data connection
- ▶ Call rates comparable to international cellular roaming
- ▶ Dual mode Globalstar satellite /GSM 900 roaming
- ▶ Separate waterproof marine satellite & optional GSM antenna
- ▶ Flexible power supply options
- ▶ Integrated 'Mini' telephone handset
- ▶ Built in charger for SAT550 terminal
- ▶ SAT550 hand terminal may be removed for portable use
- ▶ Easy Installation
- ▶ Range of marine installation accessories



SAT550X MARINE SATELLITE TERMINAL

Installation outline

Dimensions shown in 'mm'
Antenna cable length 10m



The omni-directional waterproof antenna can be mounted in any position which has a reasonably clear view of the horizon. A 10 metre antenna cable is provided (20 metre option).

Other options include a dedicated marine GSM antenna, this should be located as high as possible to provide maximum cellular

Data and facsimile services will soon allow Globalstar users to place and receive Group 3 Facsimile calls, asynchronous dial-up fax and data on the Globalstar network at rates up to 9600 bps.



TECHNICAL SPECIFICATION

Type Approval Standards

- Globalstar & ETSI Type Approved
- Tested to IEC 945 (clause 9 unwanted emissions only).
- ETSI ETS 300 019

Power

Voltage range	10.8V to 15.6V
Consumption	10W (30W max)

Base Unit

- Operating Temperature Range 0 to +40degC
- Storage Temperature Range -20 to +55degC
- Humidity 0 to 95%
- Weight (including hand terminal) 1.0Kg
- Mounting Vertical or horizontal below decks

Satellite Antenna

- Operating Temperature Range -10 to +50degC
- Storage Temperature Range -20 to +55degC
- Humidity 0 to 95% non-condensing
- Mounting, above decks on 1" x 14 T.P.I. thread /fitting
- Weight 0.8Kg
- Power Provided by Base Unit

TX / RX Specifications

Globalstar

- TX Frequency band 1618 MHz
- RX Frequency band 2491 MHz

GSM

- TX Frequency band 890.2 to 914.8MHz
- RX Frequency band 935.2 to 959.8MHz

TX Power

Globalstar

- 2W (+33dBm)

GSM

- Max Power on 50 Ohm 2W (+33dBm)
- Power Class 4

SAT550 Battery Charging

- Full Recharge Time 180 mins
- Time to 80% Charge 60 mins

OPTIONS

- | | | | |
|-----------|--|-----------|----------------------------|
| • 500.00 | 24V to 12V isolating dc-dc converter | • 2520.01 | Antenna mounting bracket |
| • 500.02 | 12V to 12V isolating dc-dc converter | • 2520.02 | GSM antenna with 10m cable |
| • 500.04 | 110/220V mains to 12V mains adapter | • 2520.03 | Hands free kit |
| • 2510.04 | 20m Globalstar satellite antenna cable | • 2520.06 | Telit SAT550 Hand Terminal |
| • 2510.05 | RS232 Data cable | | |

The SAT550X is available with or without the Telit SAT550 Hand terminal.

Please check our web site, www.icselectronics.co.uk for latest Globalstar maritime coverage. This normally extends at least 200 miles from the coast of those countries offering Globalstar services, plus additional ocean area coverage.

ICS Electronics Ltd. takes no responsibility for the availability (or otherwise) of Globalstar services in a particular area.

ICS Electronics Ltd. has a policy of continuous product improvement and reserves the right to vary in detail from the specifications shown.

Available from:



ICS Electronics Ltd.

Unit V, Rudford Industrial Estate, Ford, Arundel West Sussex. BN18 0BD, England.
Telephone: +44 (0) 1903 731101 Facsimile: +44 (0) 1903 731105
E-mail: Sales@icselectronics.co.uk Web Site: www.icselectronics.co.uk